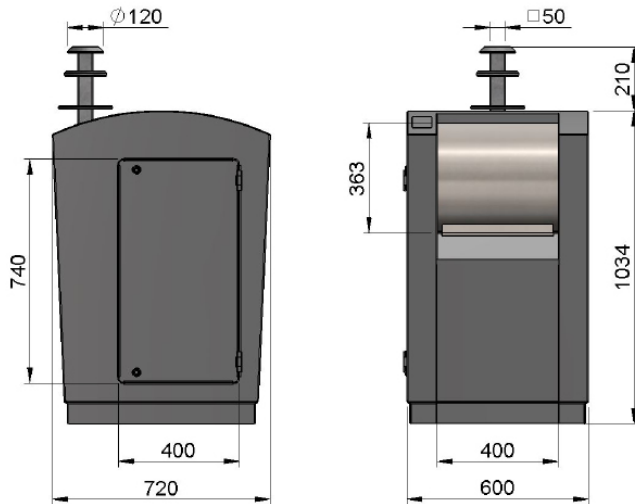


# M61/600

## Double drum 60l, kinshofer



### General specifications

<b>Model</b>	: Metro® M61
Product type	: Underground container
Hoisting system	: Kinshofer
Inlet	: Double drum 60l, stainless steel 304

### Material

Pillar	: 3mm S235JR, fully welded
Lower body	: 3mm S235JR, fully welded
Bottom hatches	: 3mm S235JR, fully welded
Pedestrian platform	: 4/6 tear plate S235JR, 1450x1450mm

### Preservation

Galvanisation	: Welded parts are hot dip galvanized acc. to DIN-EN-ISO 1461
Coating of pillar	: Powder coating acc. to DIN-EN 15773

### Quality and environment

System compliant with NEN-EN 13071 -1, -2 and -3  
 Product with TÜV type approval and CE marking  
 All our underground containers can be returned for recycling

### Options

Container Sizes	Height excl. pillar	Height incl. pillar	Total weight
3m <sup>3</sup>	1.604mm	2.650mm	495kg
4m <sup>3</sup>	2.164mm	3.210mm	575kg
5m <sup>3</sup>	2.724mm	3.770mm	655kg

### Access control

Mechanical	: ASSA-lock
Mechanical	: Euro-cylinder
Electronic	: Chiplock® 5.0

### Can be combined with

Metro® saloon door safety system (sdss)  
 Metro® concrete box